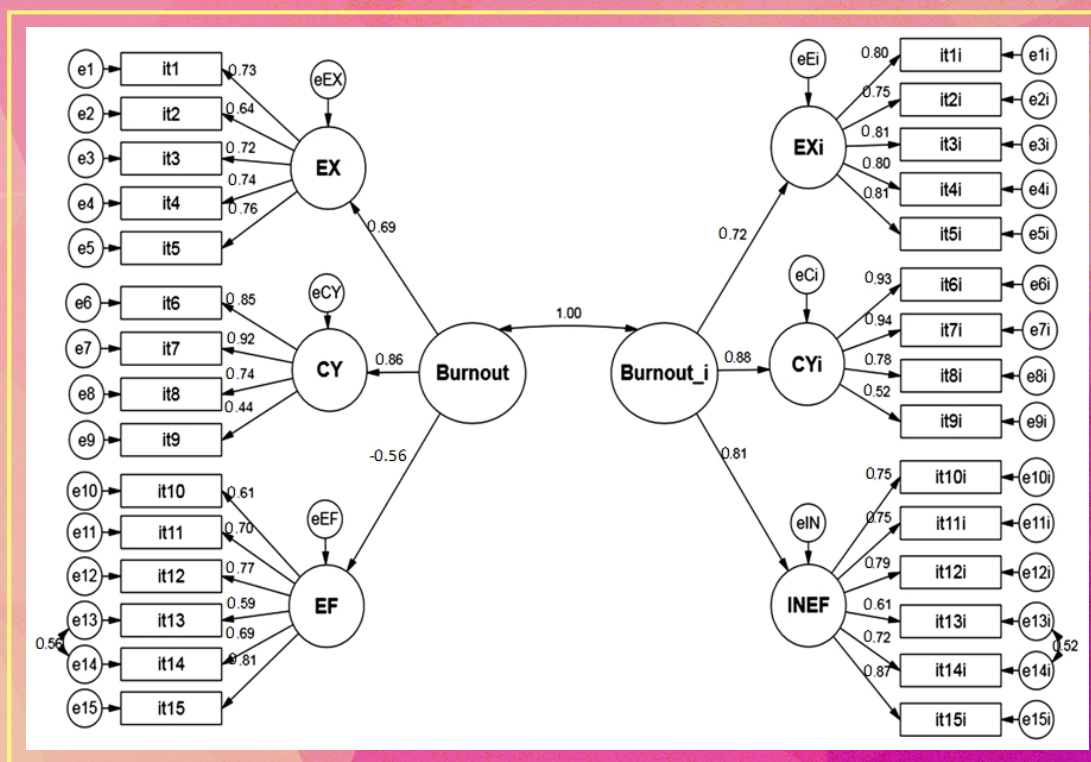


# Open Journal of Statistics

Special Issue on Research on Reliability and Validity



# Journal Editorial Board

ISSN 2161-718X (Print) ISSN 2161-7198 (Online)

<http://www.scirp.org/journal/ojs>

---

## Editor-in-Chief

**Prof. Qihua Wang**

Chinese Academy of Sciences, China

## Editorial Board

**Prof. Ana M. Aguilera**

University of Granada, Spain

**Prof. Essam K. Al-Hussaini**

Alexandria University, Egypt

**Prof. Erniel B. Barrios**

University of the Philippines, Philippines

**Prof. Alexander V. Bulinski**

Lomonosov Moscow State University, Russia

**Prof. Junsoo Lee**

University of Alabama, USA

**Prof. Tae-Hwy Lee**

University of California, Riverside, USA

**Dr. Qizhai Li**

Chinese Academy of Sciences, China

**Dr. Xuewen Lu**

University of Calgary, Canada

**Prof. Claudio Morana**

University of Milano-Bicocca, Italy

**Prof. Thu Pham-Gia**

University of Moncton, Canada

**Prof. Gengsheng Qin**

Georgia State University, USA

**Prof. Kalyan Raman**

Northwestern University, USA

**Prof. Mohammad Z. Raqab**

University of Jordan, Jordan

**Dr. Jose Antonio Roldán-Nofuentes**

University of Granada, Spain

**Prof. Sunil K. Sapra**

California State University, Los Angeles, USA

**Prof. Siva Sivaganesan**

University of Cincinnati, USA

**Dr. Zheng Su**

Genentech Inc., USA

**Prof. Jianguo Sun**

University of Missouri, USA

**Prof. Aida Toma**

Academy of Economic Studies, Romania

**Dr. Florin Vaida**

University of California, San Diego, USA

**Dr. Haiyan Wang**

Kansas State University, USA

**Prof. Augustine Chi Mou Wong**

York University, Canada

**Dr. Peng Zeng**

Auburn University, USA

**Dr. Hongmei Zhang**

University of South Carolina, Columbia, USA

**Dr. Jin-Ting Zhang**

National University of Singapore, Singapore

**Prof. Yichuan Zhao**

Georgia State University, USA

**Dr. Wang Zhou**

National University of Singapore, Singapore

---

## Guest Reviewers

Subhadip Bandyopadhyay

Anwar H. Joarder

Serguei Pergamenchtchikov

Abdelouahab Bibi

Darsh Joshi

Raghu Nandan Sengupta

Huaihou Chen

Alexander de Leon

Abderrahim Taamouti

Michael Davis

Xinmin Li

Nian-Sheng Tang

Jianjun Gan

Nengxiang Ling

Antony Gautier

Yu Miao

# Table of Contents

Volume 4    Number 6

August 2014

**Validation of the Trail Making Test B for the Cognitive Assessment of Patients with Cancer in Palliative Care**

J. dos Santos, C. A. de Mattos Pimenta, G. P. Kurita, P. E. Braga, P. Sjøgren.....435

**Confirmatory Factor and Invariance Analyses of the Motivation to Control Prejudiced Reactions Scale**

T. G. Morrison, M. A. Morrison, L. McDonagh, D. Regan, S.-J. McHugh.....446

**Testing Rating Scale Unidimensionality Using the Principal Component Analysis (PCA)/t-Test Protocol with the Rasch Model: The Primacy of Theory over Statistics**

P. Hagell.....456

**Multiple Choice Tests: Inferences Based on Estimators of Maximum Likelihood**

P. Femia-Marzo, A. Martín-Andrés.....466

**Student's Academic Efficacy or Inefficacy? An Example on How to Evaluate the Psychometric Properties of a Measuring Instrument and Evaluate the Effects of Item Wording**

J. Maroco, A. L. Maroco, J. A. D. B. Campos.....484

## **Open Journal of Statistics (OJS)**

### **Journal Information**

#### **SUBSCRIPTIONS**

The *Open Journal of Statistics* (Online at Scientific Research Publishing, [www.SciRP.org](http://www.SciRP.org)) is published bimonthly by Scientific Research Publishing, Inc., USA.

#### **Subscription rates:**

Print: \$69 per issue.

To subscribe, please contact Journals Subscriptions Department, E-mail: [sub@scirp.org](mailto:sub@scirp.org)

#### **SERVICES**

##### **Advertisements**

Advertisement Sales Department, E-mail: [service@scirp.org](mailto:service@scirp.org)

##### **Reprints (minimum quantity 100 copies)**

Reprints Co-ordinator, Scientific Research Publishing, Inc., USA.

E-mail: [sub@scirp.org](mailto:sub@scirp.org)

#### **COPYRIGHT**

##### **COPYRIGHT AND REUSE RIGHTS FOR THE FRONT MATTER OF THE JOURNAL:**

Copyright © 2014 by Scientific Research Publishing Inc.

This work is licensed under the Creative Commons Attribution International License (CC BY).

<http://creativecommons.org/licenses/by/4.0/>

##### **COPYRIGHT FOR INDIVIDUAL PAPERS OF THE JOURNAL:**

Copyright © 2014 by author(s) and Scientific Research Publishing Inc.

##### **REUSE RIGHTS FOR INDIVIDUAL PAPERS:**

Note: At SCIRP authors can choose between CC BY and CC BY-NC. Please consult each paper for its reuse rights.

##### **DISCLAIMER OF LIABILITY**

Statements and opinions expressed in the articles and communications are those of the individual contributors and not the statements and opinion of Scientific Research Publishing, Inc. We assume no responsibility or liability for any damage or injury to persons or property arising out of the use of any materials, instructions, methods or ideas contained herein. We expressly disclaim any implied warranties of merchantability or fitness for a particular purpose. If expert assistance is required, the services of a competent professional person should be sought.

#### **PRODUCTION INFORMATION**

For manuscripts that have been accepted for publication, please contact:

E-mail: [ojs@scirp.org](mailto:ojs@scirp.org)



## Call for Papers

# Open Journal of Statistics

ISSN 2161-718X (Print) ISSN 2161-7198 (Online)

<http://www.scirp.org/journal/ojs>

**Open Journal of Statistics (OJS)** is an international journal dedicated to the latest advancement of statistics. The goal of this journal is to provide a platform for scientists and academicians all over the world to promote, share, and discuss various new issues and developments in different areas of statistics.

### Editor-in-Chief

**Prof. Qihua Wang**

Chinese Academy of Sciences, China

### Editorial Board

**Prof. Ana M. Aguilera**  
**Prof. Essam K. Al-Hussaini**  
**Prof. Erniel B. Barrios**  
**Prof. Alexander V. Bulinski**  
**Prof. Junsoo Lee**  
**Prof. Tae-Hwy Lee**  
**Dr. Qizhai Li**  
**Dr. Xuewen Lu**  
**Prof. Claudio Morana**

**Prof. Thu Pham-Gia**  
**Prof. Gengsheng Qin**  
**Prof. Kalyan Raman**  
**Prof. Mohammad Z. Raqab**  
**Dr. Jose Antonio Roldán-Nofuentes**  
**Prof. Sunil K. Sapra**  
**Prof. Siva Sivaganesan**  
**Dr. Zheng Su**  
**Prof. Jianguo Sun**

**Prof. Aida Toma**  
**Dr. Florin Vaida**  
**Dr. Haiyan Wang**  
**Prof. Augustine Chi Mou Wong**  
**Dr. Peng Zeng**  
**Dr. Hongmei Zhang**  
**Dr. Jin-Ting Zhang**  
**Prof. Yichuan Zhao**  
**Dr. Wang Zhou**

### Subject Coverage

This journal invites original research and review papers that address the following issues in statistics. Topics of interest include, but are not limited to:

- ◆ Actuarial science
- ◆ Applied information economics
- ◆ Asymptotic statistics
- ◆ Bayesian statistics
- ◆ Biostatistics
- ◆ Business statistics
- ◆ Causal inference
- ◆ Chemometrics
- ◆ Computational statistics
- ◆ Data mining
- ◆ Decision theory
- ◆ Demography
- ◆ Descriptive statistics
- ◆ Design of experiments
- ◆ Econometrics
- ◆ Energy statistics
- ◆ Engineering statistics
- ◆ Epidemiology
- ◆ Estimation theory
- ◆ Geographic information systems
- ◆ Graphic models and related theory
- ◆ High dimensional data analysis
- ◆ Image processing
- ◆ Multivariate analysis
- ◆ Non-parametric statistics
- ◆ Parametric statistics
- ◆ Psychological statistics
- ◆ Regression analysis
- ◆ Reliability
- ◆ Reliability engineering
- ◆ Sample survey
- ◆ Sampling theory
- ◆ Semiparametric statistics
- ◆ Social statistics
- ◆ Statistical analysis with complex data
- ◆ Statistical computing
- ◆ Statistical inference
- ◆ Statistical methods
- ◆ Survival analysis
- ◆ Theoretic methods
- ◆ Time series analysis

We are also interested in short papers (letters) that clearly address a specific problem, and short survey or position papers that sketch the results or problems on a specific topic. Authors of selected short papers would be invited to write a regular paper on the same topic for future issues of the OJS.

### Notes for Intending Authors

Submitted papers should not have been previously published nor be currently under consideration for publication elsewhere. Paper submission will be handled electronically through the website. All papers are refereed through a peer review process. For more details about the submissions, please access the website.

### Website and E-Mail

<http://www.scirp.org/journal/ojs>

Email: [ojs@scirp.org](mailto:ojs@scirp.org)