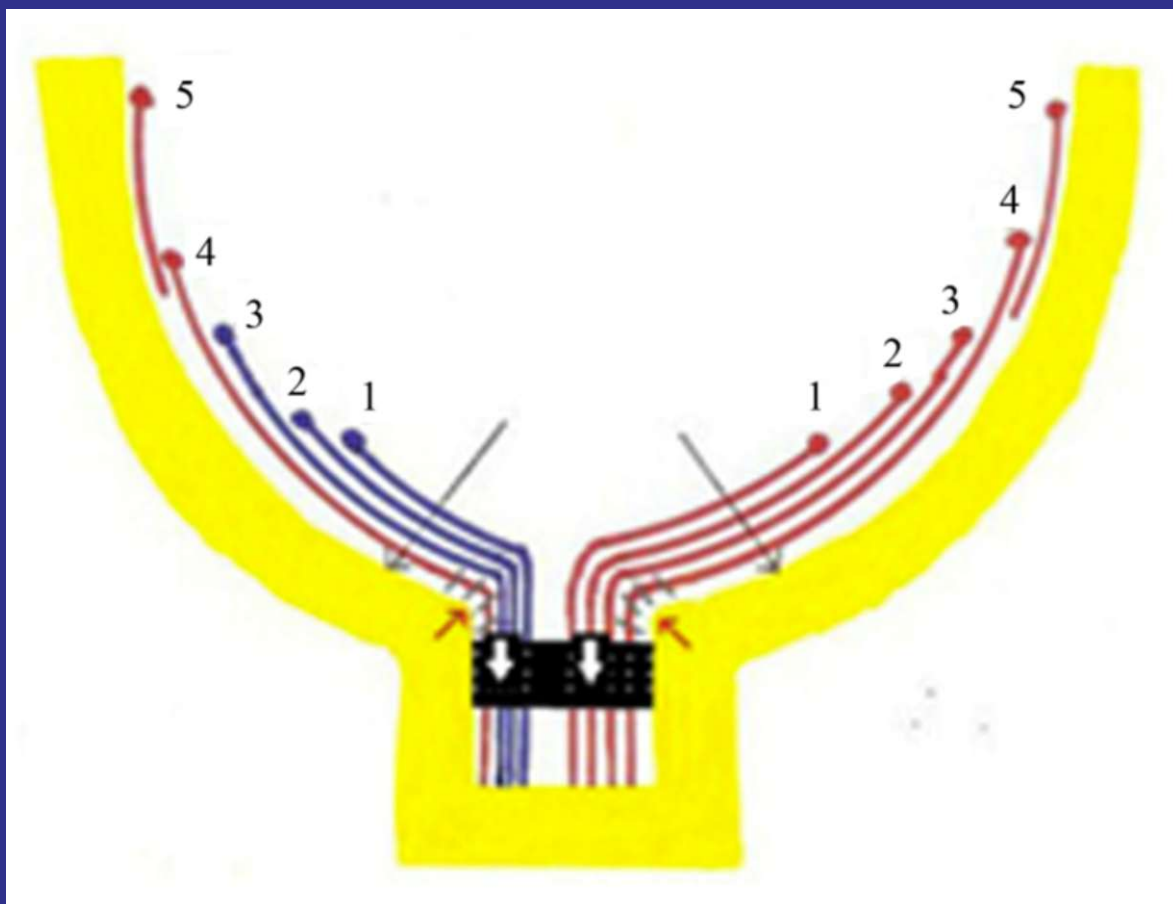


Open Journal of Ophthalmology



ISSN: 2165-7408



Journal Editorial Board

ISSN: 2165-7408 (Print) ISSN: 2165-7416 (Online)

<http://www.scirp.org/journal/ojoph>

Editor-in-Chief

Dr. Pinakin Guvant Davey

Western University of Health Sciences, USA

Editorial Board

Prof. Mustafa Ünal

Akdeniz University, Turkey

Prof. Liza Sharmini Ahmad Tajudin

Hospital Universiti Sains Malaysia, Malaysia

Prof. Ahmad A. Aref

University of Illinois Eye & Ear Infirmary, USA

Dr. Francisco J. Ascaso

University of Zaragoza, Spain

Prof. Rajvardhan Azad

All India Institute of Medical Sciences, India

Prof. John D. Bullock

Wright State University, USA

Prof. Imtiaz A. Chaudhry

Texas Medical Center, USA

Prof. Timothy Q. Duong

University of Texas Health Science Center, USA

Prof. Thomas A. Fuchsluger

Heinrich-Heine-University, Germany

Prof. Simone Gori

University of Padua, Italy

Prof. Pedram Hamrah

Harvard Medical School, USA

Prof. Valentín Huerva

Arnau de Vilanova University Hospital, Spain

Prof. Mary J. Kelley

Oregon Health & Science University, USA

Prof. L. Stephen Kwok

HCF Eyecare, Australia

Prof. Ahmad M. Mansour

American University of Beirut, Lebanon

Prof. Tara Moore

University of Ulster, UK

Prof. Michal S. Nowak

Medical University of Lodz, Poland

Prof. Kota V. Ramana

University of Texas, USA

Prof. Jie Shen

Western University of Health Sciences, USA

Prof. Wael Soliman

Assiut University Hospitals, Egypt

Prof. Michael W. Stewart

Mayo Clinic, USA

Prof. Yu Su

Community Optics, USA

Prof. Masahiko Sugimoto

Mie University, Japan

Prof. Andrei Surguchov

Kansas University, USA

Prof. Chafia Touil-Boukoffa

University of Sciences and Technology, Algeria

Prof. Li Wang

Baylor College of Medicine, USA

Table of Contents

Volume 6 Number 1

February 2016

The Prevalence and Risk Factors for Dry Eye Disease among Older Adults in the City of Lodz, Poland M. S. Nowak, J. Smigielski.....	1
Prevalence and Associations of Hepatitis B Seropositivity in a Rural African Ophthalmic Surgical Population O. Okoye, B. Eze, C. Ogbonnaya, C. Ezisi, O. Obasi.....	6
A Systematic Review of Clinical Studies Using VEGF Inhibitors in the Treatment of Macular Edema from Diabetic Retinopathy K. Diab, S. Chavda, N. Gorfinkel, F. Si, B. Dishan, W. Hodge.....	12
Ocular Graft versus Host Disease: A Review of Clinical Manifestations, Diagnostic Approaches and Treatment S. Nair, M. Vanathi, A. Ganger, R. Tandon.....	20
Oculo Orbital Complications of Sinusitis N. Otmani, S. Zineb, H. Sami, O. Abdellatif, B. O. Mohamed.....	34
Novel Mechanistic Interplay between Products of Oxidative Stress and Components of the Complement System in AMD Pathogenesis H. J. Du, X. Xiao, T. Stiles, C. Douglas, D. Ho, P. X. Shaw.....	43
Large Penetrating Keratoplasty in the Management of Keratoglobus: A Case Report L. Papaioannou, M. Papatthanassiou.....	51
The Missing Piece in Glaucoma? S. S. Hasnain.....	56

Open Journal of Ophthalmology (OJOph)

Journal Information

SUBSCRIPTIONS

The *Open Journal of Ophthalmology* (Online at Scientific Research Publishing, www.SciRP.org) is published quarterly by Scientific Research Publishing, Inc., USA.

Subscription rates:

Print: \$79 per issue.

To subscribe, please contact Journals Subscriptions Department, E-mail: sub@scirp.org

SERVICES

Advertisements

Advertisement Sales Department, E-mail: service@scirp.org

Reprints (minimum quantity 100 copies)

Reprints Co-ordinator, Scientific Research Publishing, Inc., USA.

E-mail: sub@scirp.org

COPYRIGHT

COPYRIGHT AND REUSE RIGHTS FOR THE FRONT MATTER OF THE JOURNAL:

Copyright © 2016 by Scientific Research Publishing Inc.

This work is licensed under the Creative Commons Attribution International License (CC BY).

<http://creativecommons.org/licenses/by/4.0/>

COPYRIGHT FOR INDIVIDUAL PAPERS OF THE JOURNAL:

Copyright © 2016 by author(s) and Scientific Research Publishing Inc.

REUSE RIGHTS FOR INDIVIDUAL PAPERS:

Note: At SCIRP authors can choose between CC BY and CC BY-NC. Please consult each paper for its reuse rights.

DISCLAIMER OF LIABILITY

Statements and opinions expressed in the articles and communications are those of the individual contributors and not the statements and opinion of Scientific Research Publishing, Inc. We assume no responsibility or liability for any damage or injury to persons or property arising out of the use of any materials, instructions, methods or ideas contained herein. We expressly disclaim any implied warranties of merchantability or fitness for a particular purpose. If expert assistance is required, the services of a competent professional person should be sought.

PRODUCTION INFORMATION

For manuscripts that have been accepted for publication, please contact:

E-mail: ojoph@scirp.org



Open Journal of Ophthalmology

ISSN: 2165-7408 (Print) ISSN: 2165-7416 (Online)
<http://www.scirp.org/journal/ojoph>

Open Journal of Ophthalmology is a peer reviewed international journal dedicated to the latest advancement of Ophthalmology. The goal of this journal is to keep a record of the state-of-the-art research and to promote study, research and improvement within its various specialties.

All manuscripts submitted to OJOph must be previously unpublished and may not be considered for publication elsewhere at any time during OJOph's review period. Additionally, accepted ones will immediately appear online followed by printed in hard copy. Topics to be covered by this journal include, but are not limited to:

- Anterior Segment Surgery
- Cataract
- Cornea, Ocular Surface, and External Disease
- Glaucoma
- Medical Retina
- Neuro-Ophthalmology
- Ocular Oncology
- Oculoplastics & Orbit Surgery
- Ophthalmic Pathology
- Pediatric Ophthalmology & Strabismus
- Refractive Surgery
- Uveitis & Immunology
- Veterinary Formals
- Vitreo-Retinal Surgery

We are also interested in short papers (letters) that clearly address a specific problem, and short survey or position papers that sketch the results or problems on a specific topic. Authors of selected short papers would be invited to write a regular paper on the same topic for future issues of the OJOph.

Website and E-Mail

<http://www.scirp.org/journal/ojoph>

E-mail: ojoph@scirp.org