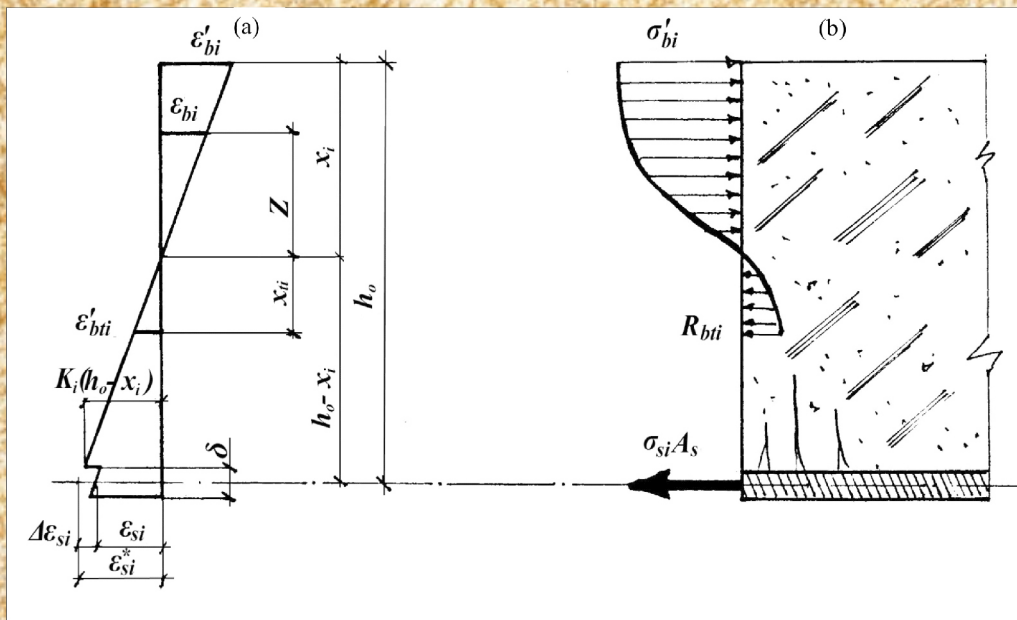




# Materials Sciences and Applications



ISSN: 2153-117X



9 772 153 117 X0407 A1

[www.scirp.org/journal/msa](http://www.scirp.org/journal/msa)

# Journal Editorial Board

ISSN 2153-117X (Print) ISSN 2153-1188 (Online)

<http://www.scirp.org/journal/msa>

---

## Editor-in-Chief

**Prof. Young W. Kwon**

Naval Postgraduate School, USA

## Editorial Board

**Prof. Alaa S. Abd-El-Aziz**

University of Prince Edward Island, Canada

**Prof. Samir A. Abdel-Latif**

Helwan University, Egypt

**Prof. Nacer Badi**

University of Houston, USA

**Prof. Alexander Bagatur'yants**

Russian Academy of Sciences, Russia

**Prof. Huan-Tsung Chang**

National Taiwan University, Chinese Taipei

**Prof. Ram N. P. Choudhary**

IIT Kharagpur, India

**Dr. Henara Lillian Costa**

Universidade Federal de Uberlandia, Brazil

**Dr. Chu Chun Hung**

The University of Hong Kong, China

**Prof. Rob Krams**

Imperial College, UK

**Prof. Athanasios G. Mamalis**

National Technical University of Athens, Greece

**Prof. Paolo Maria Mariano**

University of Florence, Italy

**Prof. Mutlu Özcan**

University of Zurich, Switzerland

**Prof. Chunxu Pan**

Wuhan University, China

**Prof. Su-Seng Pang**

Louisiana State University, USA

**Prof. Alessandro Pegoretti**

University of Trento, Italy

**Dr. Raj Pal Singh**

National Chemical Laboratory, India

**Prof. Anupam Srivastav**

Middle East College, India

**Dr. Deepak Srivastava**

H. B. Technological Institute, India

**Prof. Gayle E. Woloschak**

Northwestern University, USA

**Prof. Dongfeng Xue**

Dalian University of Technology, China

**Dr. Raghvendra Singh Yadav**

University of Allahabad, India

**Prof. Jory A. Yarmoff**

University of California, USA

**Dr. Fei Zhang**

Michigan State University, USA

## TABLE OF CONTENTS

**Volume 4    Number 7A1**

**July 2013**

**Method of Dimensioning Stress-Strain State of Steel Concrete Plate**

E. Yamb, C. A. B. Hyeng.....1

**Characteristics of Corrosion Product Layer Formed on Weathering Steel Exposed to the Tropical Climate of Vietnam**

L. T. H. Lien, H. L. Hong.....6

---

The figure on the front cover is from the article published in *Materials Sciences and Applications*, 2012, Vol. 4, No. 7A1, pp. 1-5 by Emmanuel Yamb and Christian A. Bock Hyeng.

# **Materials Sciences and Applications (MSA)**

## **Journal Information**

### **SUBSCRIPTIONS**

The *Materials Sciences and Applications* (Online at Scientific Research Publishing, [www.SciRP.org](http://www.SciRP.org)) is published monthly by Scientific Research Publishing, Inc., USA.

#### **Subscription rates:**

Print: \$59 per issue.

To subscribe, please contact Journals Subscriptions Department, E-mail: [sub@scirp.org](mailto:sub@scirp.org)

### **SERVICES**

#### **Advertisements**

Advertisement Sales Department, E-mail: [service@scirp.org](mailto:service@scirp.org)

#### **Reprints (minimum quantity 100 copies)**

Reprints Co-ordinator, Scientific Research Publishing, Inc., USA.

E-mail: [sub@scirp.org](mailto:sub@scirp.org)

### **COPYRIGHT**

Copyright©2013 Scientific Research Publishing, Inc.

All Rights Reserved. No part of this publication may be reproduced, stored in a retrieval system, or transmitted, in any form or by any means, electronic, mechanical, photocopying, recording, scanning or otherwise, except as described below, without the permission in writing of the Publisher.

Copying of articles is not permitted except for personal and internal use, to the extent permitted by national copyright law, or under the terms of a license issued by the national Reproduction Rights Organization.

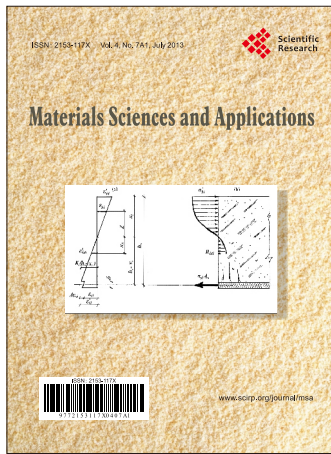
Requests for permission for other kinds of copying, such as copying for general distribution, for advertising or promotional purposes, for creating new collective works or for resale, and other enquiries should be addressed to the Publisher.

Statements and opinions expressed in the articles and communications are those of the individual contributors and not the statements and opinion of Scientific Research Publishing, Inc. We assume no responsibility or liability for any damage or injury to persons or property arising out of the use of any materials, instructions, methods or ideas contained herein. We expressly disclaim any implied warranties of merchantability or fitness for a particular purpose. If expert assistance is required, the services of a competent professional person should be sought.

### **PRODUCTION INFORMATION**

For manuscripts that have been accepted for publication, please contact:

E-mail: [msa@scirp.org](mailto:msa@scirp.org)



## Materials Sciences and Applications

ISSN 2153-117X (Print) ISSN 2153-1188 (Online)

<http://www.scirp.org/journal/msa>

**Materials Sciences and Applications (MSA)** is an international refereed journal dedicated to the latest advancement of materials. The goal of this journal is to keep a record of the state-of-the-art research and promote the research work in these fast moving areas.

### Editor-in-Chief

Prof. Young W. Kwon

Naval Postgraduate School, USA

### Editorial Board

Prof. Alaa S. Abd-El-Aziz

Prof. Rob Krams

Prof. Anupam Srivastav

Prof. Samir A. Abdel-Latif

Prof. Athanasios G. Mamalis

Dr. Deepak Srivastava

Prof. Nacer Badi

Prof. Paolo Maria Mariano

Prof. Gayle E. Woloschak

Prof. Alexander Bagatur'yants

Prof. Mutlu Özcan

Prof. Dongfeng Xue

Prof. Huan-Tsung Chang

Prof. Chunxu Pan

Dr. Raghendra Singh Yadav

Prof. Ram N. P. Choudhary

Prof. Su-Seng Pang

Prof. Jory A. Yarmoff

Dr. Henara Lillian Costa

Prof. Alessandro Pegoretti

Dr. Fei Zhang

Dr. Chu Chun Hung

Dr. Raj Pal Singh

### Subject Coverage

This journal invites original research and review papers that address the following issues in materials sciences and applications. Topics of interest include, but are not limited to:

- Biological, Biomechanical and Biomedical Materials
- Composite Materials
- Electrical and Electronics Materials
- Fibers and Matrix Materials
- Functional Materials, including Shape Memory Materials, Self Healing Materials, etc.
- Light Emitting Material
- Magnetic Material
- Materials Chemistry
- Metals and Alloys
- Nanocomposites
- Nanomaterials including Nanostructured and Nanoscale Materials
- Nanosensors
- Nanostructured Materials
- Organic Materials
- Physics, Chemistry, Mechanics and Applications in Materials Science
- Rubber/Elastomeric Materials
- Semiconductor Materials
- Textile Materials
- Thin Film and Coatings

We are also interested in: 1) Short Reports—2-5 page papers where an author can either present an idea with theoretical background but has not yet completed the research needed for a complete paper or preliminary data; 2) Book Reviews—Comments and critiques.

### Notes for Intending Authors

Submitted papers should not have been previously published nor be currently under consideration for publication elsewhere. Paper submission will be handled electronically through the website. All papers are refereed through a peer review process. For more details about the submissions, please access the website.

### Website and E-Mail

<http://www.scirp.org/journal/msa>

E-mail: [msa@scirp.org](mailto:msa@scirp.org)