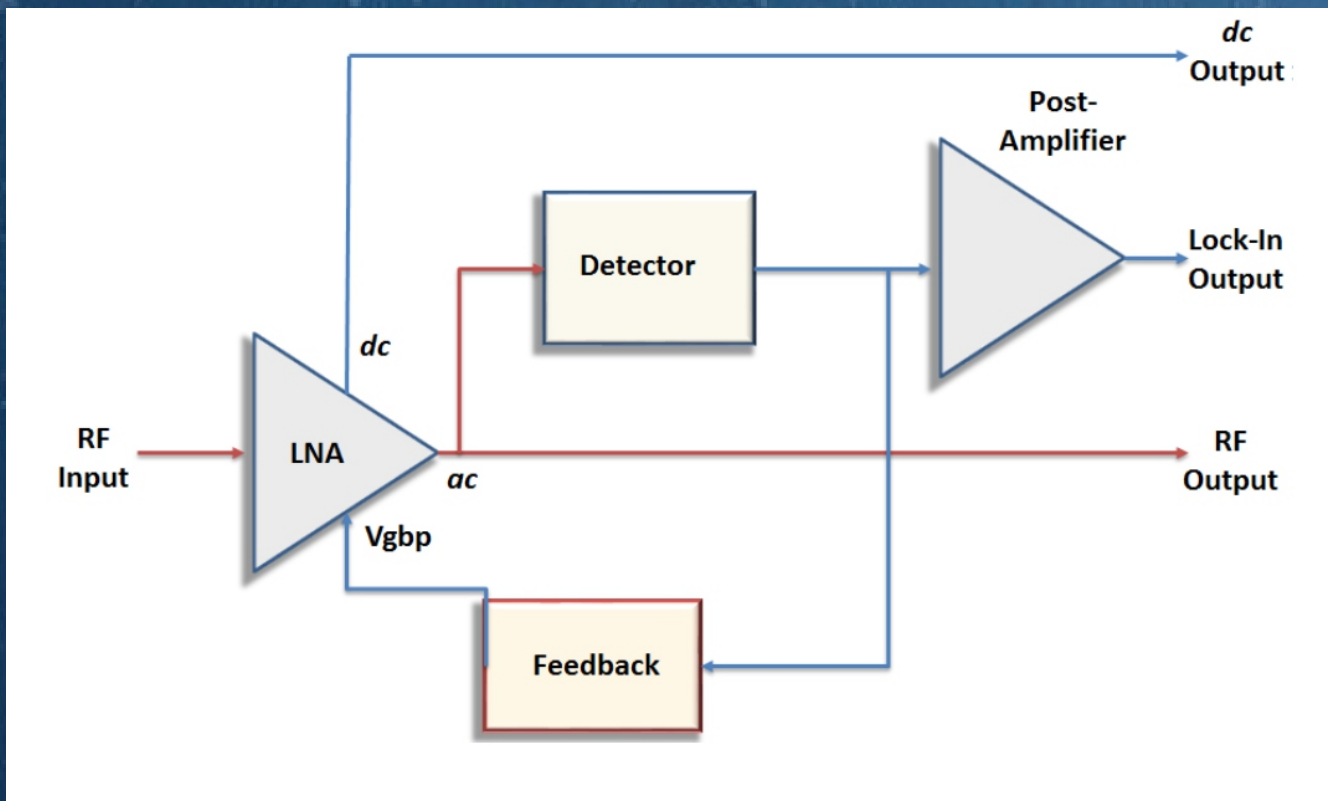


# Modern Instrumentation



ISSN: 2165-9257



# Journal Editorial Board

ISSN Print: 2165-9257

ISSN Online: 2165-9273

<http://www.scirp.org/journal/mi>

---

## Editor-in-Chief

**Prof. P. Balasubramaniam**

Gandhigram Rural Institute-Deemed University, India

## Editorial Board

**Dr. Ugur Akgun**

Coe College, USA

**Prof. Jean Berthier**

University of Grenoble, France

**Prof. Bo Dong**

Institute for Infocomm Research (I2R), Singapore

**Prof. Francisco Fernandez-Lima**

Florida International University, USA

**Prof. Qiangxian Huang**

Hefei University of Technology, China

**Prof. Taesam Kang**

Konkuk University, South Korea

**Prof. Ionel Lazanu**

University of Bucharest, Romania

**Dr. Qingjun Liu**

Zhejiang University, China

**Prof. Yu-Lung Lo**

National Cheng Kung University, Chinese Taipei

**Prof. Vladislav Pustovoit**

Russian Academy of Sciences, Russia

**Prof. Huihe Qiu**

Hong Kong University of Science & Technology, China

**Dr. Càndid Reig**

University of Valencia, Spain

**Prof. Elena Savchenko**

Verkin Institute for Low Temperature Physics & Engineering, Ukraine

**Prof. Gunjana Sharma**

University of California, USA

**Dr. Yang Sheng**

University of Science and Technology of China, China

**Prof. J. Simal-Gandara**

University of Vigo - Ourense Campus, Spain

**Prof. Bin Tang**

China Academy of Engineering Physics, China

**Dr. Wuliang Yin**

University of Manchester, UK

**Dr. Hongwei Zhang**

Tianjin University, China

**Dr. Kang Zhang**

GE Global Research, USA

**Prof. Weiping Zhang**

Shanghai Jiao Tong University, China

# Table of Contents

**Volume 6    Number 2**

**April 2017**

## **Construction of a Potentiostat to Perform Electrochemical Impedance Spectroscopy (EIS) Tests**

F. Sepúlveda, J. Hernández, A. Manríquez.....15

## Modern Instrumentation (MI)

### Journal Information

#### SUBSCRIPTIONS

*Modern Instrumentation* (Online at Scientific Research Publishing, [www.SciRP.org](http://www.SciRP.org)) is published quarterly by Scientific Research Publishing, Inc., USA.

##### **Subscription rates:**

Print: \$59 per issue.

To subscribe, please contact Journals Subscriptions Department, E-mail: [sub@scirp.org](mailto:sub@scirp.org)

#### SERVICES

##### **Advertisements**

Advertisement Sales Department, E-mail: [service@scirp.org](mailto:service@scirp.org)

##### **Reprints (minimum quantity 100 copies)**

Reprints Co-ordinator, Scientific Research Publishing, Inc., USA.

E-mail: [sub@scirp.org](mailto:sub@scirp.org)

#### COPYRIGHT

##### **Copyright and reuse rights for the front matter of the journal:**

Copyright © 2017 by Scientific Research Publishing Inc.

This work is licensed under the Creative Commons Attribution International License (CC BY).

<http://creativecommons.org/licenses/by/4.0/>

##### **Copyright for individual papers of the journal:**

Copyright © 2017 by author(s) and Scientific Research Publishing Inc.

##### **Reuse rights for individual papers:**

Note: At SCIRP authors can choose between CC BY and CC BY-NC. Please consult each paper for its reuse rights.

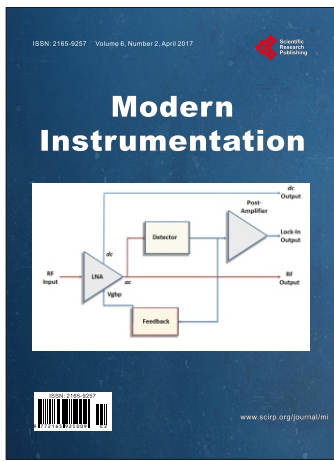
##### **Disclaimer of liability**

Statements and opinions expressed in the articles and communications are those of the individual contributors and not the statements and opinion of Scientific Research Publishing, Inc. We assume no responsibility or liability for any damage or injury to persons or property arising out of the use of any materials, instructions, methods or ideas contained herein. We expressly disclaim any implied warranties of merchantability or fitness for a particular purpose. If expert assistance is required, the services of a competent professional person should be sought.

#### PRODUCTION INFORMATION

For manuscripts that have been accepted for publication, please contact:

E-mail: [mi@scirp.org](mailto:mi@scirp.org)



**Call for Papers**

# Modern Instrumentation

ISSN Print: 2165-9257      ISSN Online: 2165-9273

<http://www.scirp.org/journal/mi>

**Modern Instrumentation (MI)** is an international journal dedicated to the latest advancement of instrumentation. The goal of this journal is to provide a platform for scientists and academicians all over the world to promote, share, and discuss various new issues and developments in different areas of instrumentation.

All manuscripts must be prepared in English, and are subject to a rigorous and fair peer-review process. Accepted papers will immediately appear online followed by printed hard copy. The journal publishes original papers including but not limited to the following fields:

- ◆ Biomedical Measurement and Instrumentation
- ◆ Flow Measurement and Instrumentation
- ◆ Fluorescence
- ◆ Instruments and Experimental Techniques
- ◆ Micro and Nano Electronic Mechanical System
- ◆ Micro and Nano Metrology
- ◆ Micro and Nanofluidics (Surface Tension, Contact Angles, Hysteresis)
- ◆ Microscopy (AFM, SEM, Confocal)
- ◆ Nuclear Instruments and Methods
- ◆ Optoelectronics, Instrumentation and Data Processing
- ◆ Process Control and Instrumentation
- ◆ Radiation Applications and Instrumentation
- ◆ Seismic Instruments
- ◆ Sensing and Instrumentation for Food Quality and Safety
- ◆ Surface Acoustic Waves for Sensing and Microfluidics Applications
- ◆ Training Instrumentation and Controls

We are also interested in: 1) Short Reports—2-5 page papers where an author can either present an idea with theoretical background but has not yet completed the research needed for a complete paper or preliminary data; 2) Book Reviews—Comments and critiques.

## Website and E-Mail

<http://www.scirp.org/journal/mi>

E-mail: [mi@scirp.org](mailto:mi@scirp.org)

## ***What is SCIRP?***

Scientific Research Publishing (SCIRP) is one of the largest Open Access journal publishers. It is currently publishing more than 200 open access, online, peer-reviewed journals covering a wide range of academic disciplines. SCIRP serves the worldwide academic communities and contributes to the progress and application of science with its publication.

## ***What is Open Access?***

All original research papers published by SCIRP are made freely and permanently accessible online immediately upon publication. To be able to provide open access journals, SCIRP defrays operation costs from authors and subscription charges only for its printed version. Open access publishing allows an immediate, worldwide, barrier-free, open access to the full text of research papers, which is in the best interests of the scientific community.

- High visibility for maximum global exposure with open access publishing model
- Rigorous peer review of research papers
- Prompt faster publication with less cost
- Guaranteed targeted, multidisciplinary audience



**Scientific  
Research  
Publishing**

**Website: <http://www.scirp.org>**

**Subscription: [sub@scirp.org](mailto:sub@scirp.org)**

**Advertisement: [service@scirp.org](mailto:service@scirp.org)**