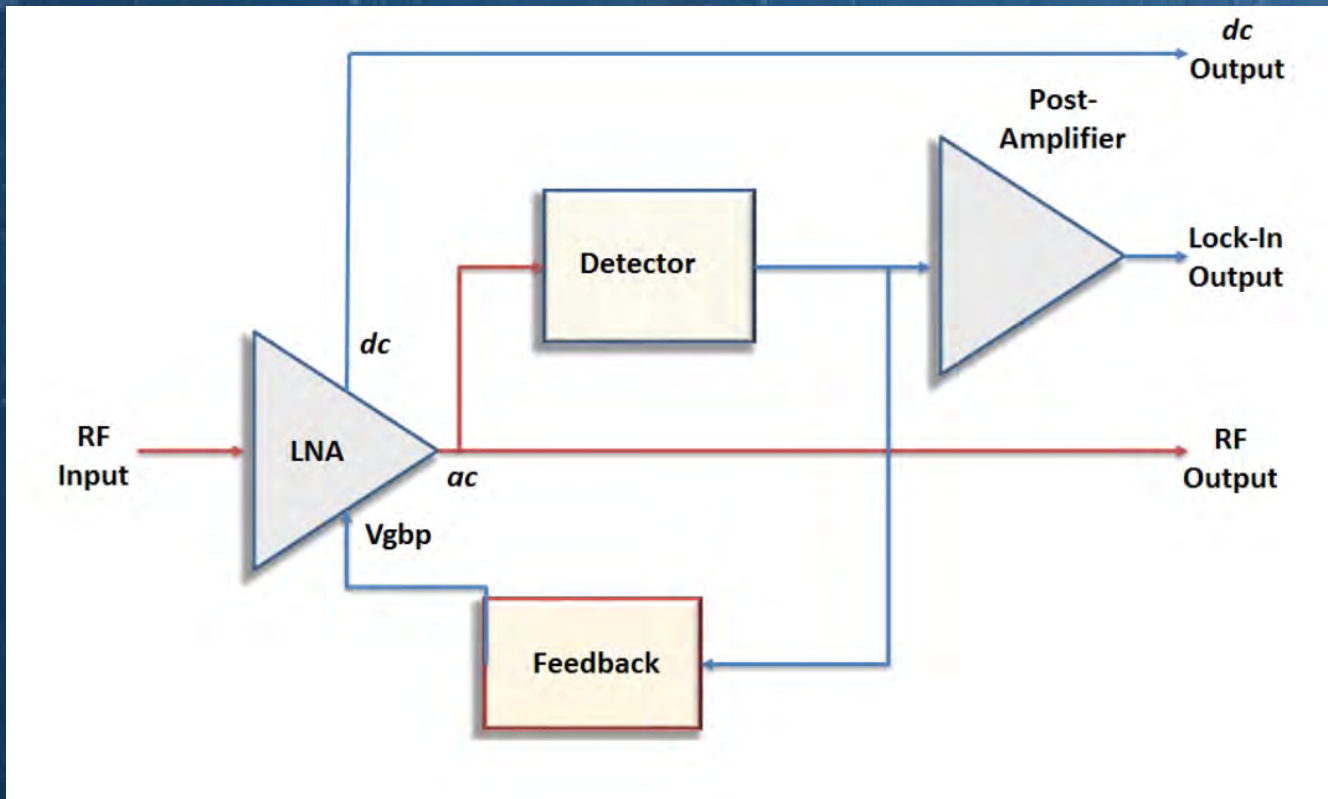


Modern Instrumentation



ISSN: 2165-9257



Journal Editorial Board

ISSN Print: 2165-9257

ISSN Online: 2165-9273

<http://www.scirp.org/journal/mi>

Editor-in-Chief

Prof. P. Balasubramaniam

Gandhigram Rural Institute-Deemed University, India

Editorial Board

Dr. Ugur Akgun

Coe College, USA

Prof. Jean Berthier

University of Grenoble, France

Prof. Bo Dong

Institute for Infocomm Research (I2R), Singapore

Prof. Francisco Fernandez-Lima

Florida International University, USA

Prof. Qiangxian Huang

Hefei University of Technology, China

Prof. Taesam Kang

Konkuk University, South Korea

Prof. Ionel Lazanu

University of Bucharest, Romania

Dr. Qingjun Liu

Zhejiang University, China

Prof. Yu-Lung Lo

National Cheng Kung University, Chinese Taipei

Prof. Vladislav Pustovoit

Russian Academy of Sciences, Russia

Prof. Huihe Qiu

Hong Kong University of Science & Technology, China

Dr. Càndid Reig

University of Valencia, Spain

Prof. Elena Savchenko

Verkin Institute for Low Temperature Physics & Engineering, Ukraine

Prof. Gunjana Sharma

University of California, USA

Dr. Yang Sheng

University of Science and Technology of China, China

Prof. J. Simal-Gandara

University of Vigo - Ourense Campus, Spain

Prof. Bin Tang

China Academy of Engineering Physics, China

Dr. Wuliang Yin

University of Manchester, UK

Dr. Hongwei Zhang

Tianjin University, China

Dr. Kang Zhang

GE Global Research, USA

Prof. Weiping Zhang

Shanghai Jiao Tong University, China

Table of Contents

Volume 6 Number 1

January 2017

Mobile Open-Source Plant-Canopy Monitoring System

D. K. Fisher, Y. B. Huang.....1

Modern Instrumentation (MI)

Journal Information

SUBSCRIPTIONS

Modern Instrumentation (Online at Scientific Research Publishing, www.SciRP.org) is published quarterly by Scientific Research Publishing, Inc., USA.

Subscription rates:

Print: \$59 per issue.

To subscribe, please contact Journals Subscriptions Department, E-mail: sub@scirp.org

SERVICES

Advertisements

Advertisement Sales Department, E-mail: service@scirp.org

Reprints (minimum quantity 100 copies)

Reprints Co-ordinator, Scientific Research Publishing, Inc., USA.

E-mail: sub@scirp.org

COPYRIGHT

Copyright and reuse rights for the front matter of the journal:

Copyright © 2017 by Scientific Research Publishing Inc.

This work is licensed under the Creative Commons Attribution International License (CC BY).

<http://creativecommons.org/licenses/by/4.0/>

Copyright for individual papers of the journal:

Copyright © 2017 by author(s) and Scientific Research Publishing Inc.

Reuse rights for individual papers:

Note: At SCIRP authors can choose between CC BY and CC BY-NC. Please consult each paper for its reuse rights.

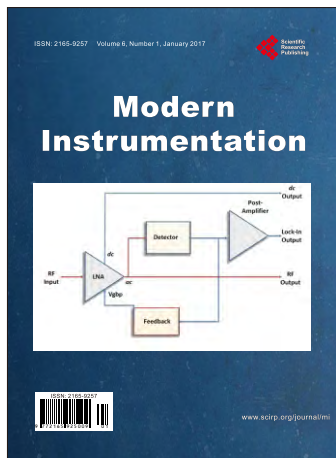
Disclaimer of liability

Statements and opinions expressed in the articles and communications are those of the individual contributors and not the statements and opinion of Scientific Research Publishing, Inc. We assume no responsibility or liability for any damage or injury to persons or property arising out of the use of any materials, instructions, methods or ideas contained herein. We expressly disclaim any implied warranties of merchantability or fitness for a particular purpose. If expert assistance is required, the services of a competent professional person should be sought.

PRODUCTION INFORMATION

For manuscripts that have been accepted for publication, please contact:

E-mail: mi@scirp.org



Call for Papers

Modern Instrumentation

ISSN Print: 2165-9257 ISSN Online: 2165-9273

<http://www.scirp.org/journal/mi>

Modern Instrumentation (MI) is an international journal dedicated to the latest advancement of instrumentation. The goal of this journal is to provide a platform for scientists and academicians all over the world to promote, share, and discuss various new issues and developments in different areas of instrumentation.

All manuscripts must be prepared in English, and are subject to a rigorous and fair peer-review process. Accepted papers will immediately appear online followed by printed hard copy. The journal publishes original papers including but not limited to the following fields:

- ◆ Biomedical Measurement and Instrumentation
- ◆ Flow Measurement and Instrumentation
- ◆ Fluorescence
- ◆ Instruments and Experimental Techniques
- ◆ Micro and Nano Electronic Mechanical System
- ◆ Micro and Nano Metrology
- ◆ Micro and Nanofluidics (Surface Tension, Contact Angles, Hysteresis)
- ◆ Microscopy (AFM, SEM, Confocal)
- ◆ Nuclear Instruments and Methods
- ◆ Optoelectronics, Instrumentation and Data Processing
- ◆ Process Control and Instrumentation
- ◆ Radiation Applications and Instrumentation
- ◆ Seismic Instruments
- ◆ Sensing and Instrumentation for Food Quality and Safety
- ◆ Surface Acoustic Waves for Sensing and Microfluidics Applications
- ◆ Training Instrumentation and Controls

We are also interested in: 1) Short Reports—2-5 page papers where an author can either present an idea with theoretical background but has not yet completed the research needed for a complete paper or preliminary data; 2) Book Reviews —Comments and critiques.

Website and E-Mail

<http://www.scirp.org/journal/mi>

E-mail: mi@scirp.org

What is SCIRP?

Scientific Research Publishing (SCIRP) is one of the largest Open Access journal publishers. It is currently publishing more than 200 open access, online, peer-reviewed journals covering a wide range of academic disciplines. SCIRP serves the worldwide academic communities and contributes to the progress and application of science with its publication.

What is Open Access?

All original research papers published by SCIRP are made freely and permanently accessible online immediately upon publication. To be able to provide open access journals, SCIRP defrays operation costs from authors and subscription charges only for its printed version. Open access publishing allows an immediate, worldwide, barrier-free, open access to the full text of research papers, which is in the best interests of the scientific community.

- High visibility for maximum global exposure with open access publishing model
- Rigorous peer review of research papers
- Prompt faster publication with less cost
- Guaranteed targeted, multidisciplinary audience



**Scientific
Research
Publishing**

Website: <http://www.scirp.org>

Subscription: sub@scirp.org

Advertisement: service@scirp.org