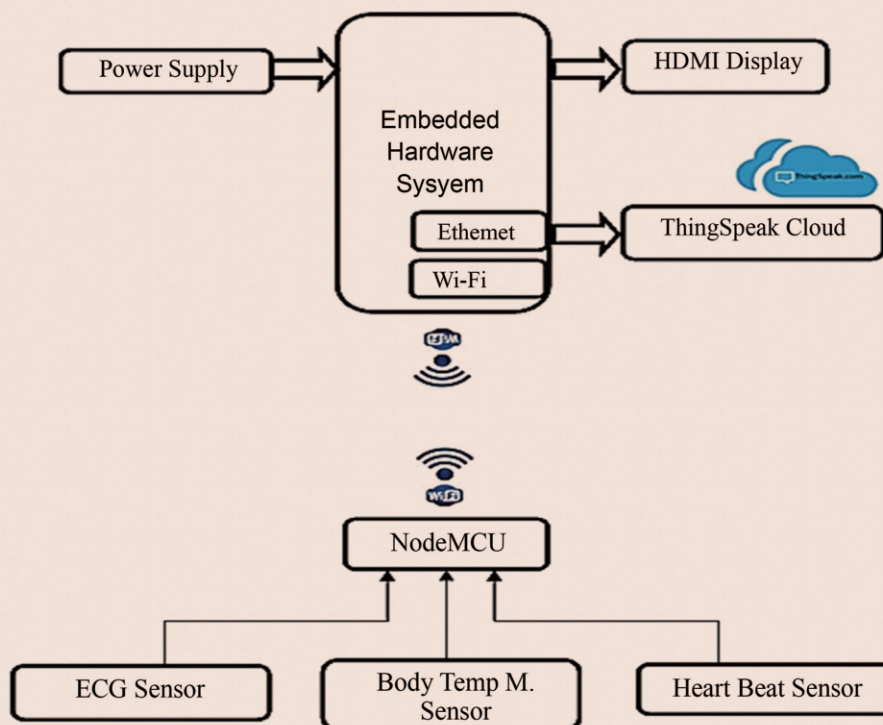


# Journal of Computer and Communications



ISSN: 2327-5219



# Journal Editorial Board

ISSN: 2327-5219 (Print) ISSN: 2327-5227 (Online)

<https://www.scirp.org/journal/jcc>

---

## Editor-in-Chief

**Prof. Zengchang Qin**

Beijing University of Aeronautics and Astronautics, China

## Editorial Board

**Dr. Sangeeta Ahuja**

IASRI (ICAR), India

**Dr. Rafid Al-Khannak**

Buckinghamshire New University, UK

**Dr. Orlando Ayala**

Old Dominion University, USA

**Dr. Ashraf Darwish**

The University of Helwan, Egypt

**Dr. Vahid Dehghanian**

University of Calgary, Canada

**Dr. Qiang Duan**

Pennsylvania State University Abington College, USA

**Prof. Gregory Grigoropoulos**

National Technical University of Athens, Greece

**Prof. William Edward Hammond**

Duke Health Technology Solutions, USA

**Dr. Fei Huang**

Microsoft, USA

**Dr. Dariusz Jacek Jakóbczak**

Technical University of Koszalin, Poland

**Dr. Sunny Jung Kim**

Dartmouth College, USA

**Prof. Mikel Larrea**

University of the Basque Country UPV/EHU, Spain

**Dr. Khalid Latif**

University of Turku, Finland

**Prof. Gino Jinho Lim**

University of Houston, USA

**Dr. Lai Man Po**

City University of Hong Kong, Hong Kong (China)

**Prof. Sukumar Senthilkumar**

Vellore Institute of Technology-University, India

**Dr. R. Sharma**

Indian Institute of Technology Madras, India

**Prof. John A. Springer**

Purdue University, USA

**Dr. Wei Wei**

Xi'an University of Technology, China

**Prof. Wei Yu**

Towson University, USA

# Table of Contents

**Volume 8    Number 8**

**August 2020**

## **Convergence Platform of Cloud Computing and Internet of Things (IoT) for Smart Healthcare Application**

M. Mamun-Ibn-Abdullah, M. Shahinuzzaman, S. M. A. Rahim, M. H. Kabir.....1

## **A Practical Approach to Detect Faults of Marine Diesel Engine**

Z. Y. Qi, Y. S. Qi, G. P. Hu.....12

## **VANET Security through Group Broadcast Encryption**

E. E. Bunese, E. Todt, L. C. P. Albini.....22

## **Research on Fault Prediction for Marine Diesel Engines**

Z. Y. Qi, Y. S. Qi, G. P. Hu.....36

## **Safety Protection Design of Virtual Machine Drift Flow in Cloud Data Center Based on VXLAN Technology**

H. P. Pu, Y. J. Wang, X. K. An.....45

## **Automatic Generation of Amharic Math Word Problem and Equation**

A. A. Bekele.....59

## **Cloud Services Quality Enhancement through Control & Monitoring of Service Level Agreements at Server and Consumer Side**

A. Adane.....78

# Journal of Computer and Communications (JCC)

## Journal Information

### SUBSCRIPTIONS

The *Journal of Computer and Communications* (Online at Scientific Research Publishing, <https://www.scirp.org/>) is published monthly by Scientific Research Publishing, Inc., USA.

#### **Subscription rates:**

Print: \$39 per issue.

To subscribe, please contact Journals Subscriptions Department, E-mail: [sub@scirp.org](mailto:sub@scirp.org)

### SERVICES

#### **Advertisements**

Advertisement Sales Department, E-mail: [service@scirp.org](mailto:service@scirp.org)

#### **Reprints (minimum quantity 100 copies)**

Reprints Co-ordinator, Scientific Research Publishing, Inc., USA.

E-mail: [sub@scirp.org](mailto:sub@scirp.org)

### COPYRIGHT

#### **Copyright and reuse rights for the front matter of the journal:**

Copyright © 2020 by Scientific Research Publishing Inc.

This work is licensed under the Creative Commons Attribution International License (CC BY).

<http://creativecommons.org/licenses/by/4.0/>

#### **Copyright for individual papers of the journal:**

Copyright © 2020 by author(s) and Scientific Research Publishing Inc.

#### **Reuse rights for individual papers:**

Note: At SCIRP authors can choose between CC BY and CC BY-NC. Please consult each paper for its reuse rights.

#### **Disclaimer of liability**

Statements and opinions expressed in the articles and communications are those of the individual contributors and not the statements and opinion of Scientific Research Publishing, Inc. We assume no responsibility or liability for any damage or injury to persons or property arising out of the use of any materials, instructions, methods or ideas contained herein. We expressly disclaim any implied warranties of merchantability or fitness for a particular purpose. If expert assistance is required, the services of a competent professional person should be sought.

### PRODUCTION INFORMATION

For manuscripts that have been accepted for publication, please contact:

E-mail: [jcc@scirp.org](mailto:jcc@scirp.org)

# Journal of Computer and Communications

ISSN: 2327-5219 (Print) ISSN: 2327-5227 (Online)

<https://www.scirp.org/journal/jcc>



Journal of Communications and Computers is an international journal dedicated to the latest advancement of communications and computers. The goal of this journal is to provide a platform for scientists and academicians all over the world to promote, share, and discuss various new issues and developments in different areas of computer and communications. All manuscripts must be prepared in English, and are subject to a rigorous and fair peer-review process. Accepted papers will immediately appear online followed by printed hard copy. The journal publishes original papers including but not limited to the following fields.

## Subject Coverage

The journal publishes original papers including, but not limited to, the following fields:

- Applications of Communication Systems
- Artificial Intelligence
- Big Data Search and Mining
- Cloud Computing
- Communication Protocols
- Complex Network Models
- Computational Robotics
- Computer and Network Security
- Computer Graphics and Visualization
- Computer Vision
- Cooperative Communications
- Distributed Computing
- Green Networking
- Grid Computing
- High Performance Computing
- Image Processing
- Information and Communication Theory and Algorithms
- Information and Communication: Security, Privacy, and Trust
- Information Retrieval
- Mobile and Portable Communications Systems
- Mobile and Ubiquitous Networks
- Mobile Computing Systems
- Multimedia/Signal Processing
- Network Modeling and Simulation
- Numerical Methods
- Online Social Network Computing
- Optical Communications
- Self-Stabilization, Autonomic Computing
- Simulation/Analytical Evaluation of Communication Systems

We are also interested in: 1) Short Reports – 2-5 page papers where an author can either present an idea with theoretical background but has not yet completed the research needed for a complete paper or preliminary data; 2) Book Reviews – Comments and critiques.

## Website and E-Mail

<https://www.scirp.org/journal/jcc>

E-mail: [jcc@scirp.org](mailto:jcc@scirp.org)