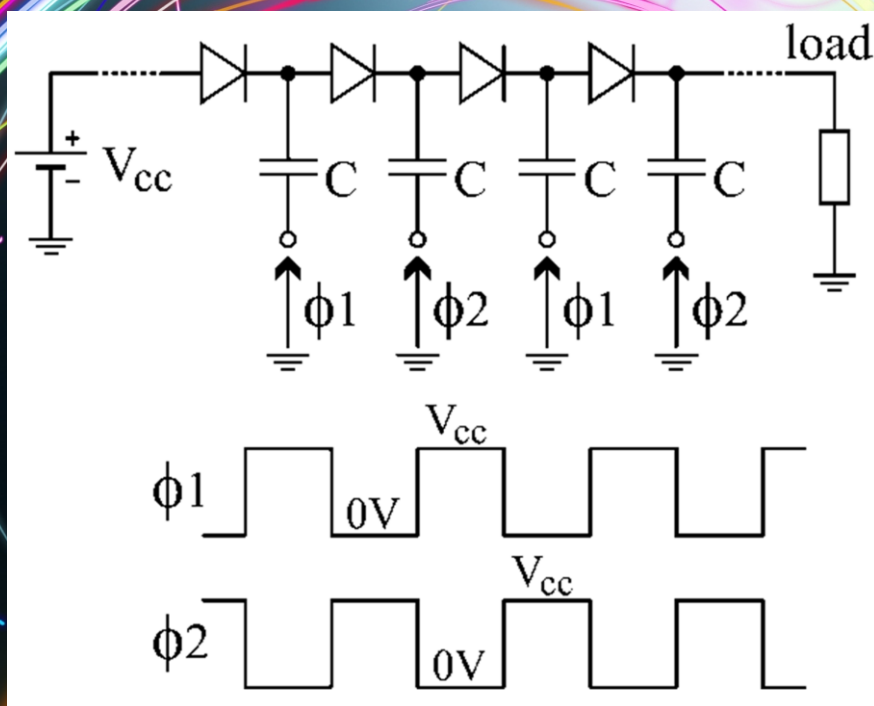


Journal of Computer and Communications



ISSN: 2327-5219



9 772327 521001 13

The 2nd Electronics and Circuits Conference (ECC 2014)

Technical Program Committee

TPC

Dr. Srinivasan Alavandar	Agni College of Technology, India
Prof. Huang-Jen Chiu	National Taiwan University of Science and Technology, Chinese Taipei
Dr. Fei Zhang	Michigan State University, USA
Prof. Raj Senani	Netaji Subhas Institute of Technology, India
Prof. Valeri Mladenov	Technical University of Sofia, Bulgaria
Prof. Ljiljana Trajkovic	Simon Fraser University, Canada
Dr. Manoj Saxena	University of Delhi, India
Prof. Poki Chen	National Taiwan University of Science and Technology, Chinese Taipei
Prof. Paolo Colantonio	University of Rome Tor Vergata, Italy
Dr. Rosana Rodríguez	Universitat Autònoma de Barcelona, Spain
Dr. Priyanka Malik	University of Delhi, India
Dr. Mingzhi Dai	Chinese Academy of Sciences, China
Prof. D. Kirubakaran	St. Joseph's Institute of Technology, OMR, Chennai-119, India
Dr. Chong Leong Gan	Universiti Malaysia Perlis, Malaysia
Prof. Juin J. Liou	University of Central Florida, USA

Table of Contents

Volume 2 Number 13

November 2014

Fully Integrated High-Voltage Generators with Optimized Power Efficiency	
D. Jan.....	1
Ultrasound Driving Application of a Universal Waveform Generator Derived from Displaying Driving System	
C. Ge, J. H. Wu, Y. M. Tang.....	9
Fault Tolerance Limits and Input Stimulus Selection Using an Implemented FPGA-Based Testing System	
P. K. Dimitrios, P. P. Sotirios, V. D. Vassilios.....	18
Implementation of Shock Filter for Digital X-Ray Image Processing	
L.-R. Dung, S.-T. Sun, Y.-Y. Wu.....	25
3-D EIT Image Reconstruction Using a Block-Based Compressed Sensing Approach	
L.-R. Dung, C.-W. Yang, Y.-Y. Wu.....	34
State Variable Model for Considering the Parasitic Inductor Resistance on the Open Loop Performance of DC to DC Converters	
C. A. L. Espinosa.....	41

Journal of Computer and Communications (JCC)

Journal Information

SUBSCRIPTIONS

The *Journal of Computer and Communications* (Online at Scientific Research Publishing, www.SciRP.org) is published monthly by Scientific Research Publishing, Inc., USA.

Subscription rates:

Print: \$39 per issue.

To subscribe, please contact Journals Subscriptions Department, E-mail: sub@scirp.org

SERVICES

Advertisements

Advertisement Sales Department, E-mail: service@scirp.org

Reprints (minimum quantity 100 copies)

Reprints Co-ordinator, Scientific Research Publishing, Inc., USA.

E-mail: sub@scirp.org

COPYRIGHT

COPYRIGHT AND REUSE RIGHTS FOR THE FRONT MATTER OF THE JOURNAL:

Copyright © 2014 by Scientific Research Publishing Inc.

This work is licensed under the Creative Commons Attribution International License (CC BY).

<http://creativecommons.org/licenses/by/4.0/>

COPYRIGHT FOR INDIVIDUAL PAPERS OF THE JOURNAL:

Copyright © 2014 by author(s) and Scientific Research Publishing Inc.

REUSE RIGHTS FOR INDIVIDUAL PAPERS:

Note: At SCIRP authors can choose between CC BY and CC BY-NC. Please consult each paper for its reuse rights.

DISCLAIMER OF LIABILITY

Statements and opinions expressed in the articles and communications are those of the individual contributors and not the statements and opinion of Scientific Research Publishing, Inc. We assume no responsibility or liability for any damage or injury to persons or property arising out of the use of any materials, instructions, methods or ideas contained herein. We expressly disclaim any implied warranties of merchantability or fitness for a particular purpose. If expert assistance is required, the services of a competent professional person should be sought.

PRODUCTION INFORMATION

For manuscripts that have been accepted for publication, please contact:

E-mail: jcc@scirp.org

Journal of Computer and Communications

ISSN: 2327-5219 (Print) ISSN: 2327-5227 (Online)

<http://www.scirp.org/journal/jcc>



Journal of Communications and Computers is an international journal dedicated to the latest advancement of communications and computers. The goal of this journal is to provide a platform for scientists and academicians all over the world to promote, share, and discuss various new issues and developments in different areas of computer and communications. All manuscripts must be prepared in English, and are subject to a rigorous and fair peer-review process. Accepted papers will immediately appear online followed by printed hard copy. The journal publishes original papers including but not limited to the following fields:

Subject Coverage

The journal publishes original papers including, but not limited to, the following subfields of anthropology:

- Applications of Communication Systems
- Artificial Intelligence
- Big Data Search and Mining
- Cloud Computing
- Communication Protocols
- Complex Network Models
- Computational Robotics
- Computer and Network Security
- Computer Graphics and Visualization
- Computer Vision
- Cooperative Communications
- Distributed Computing
- Green Networking
- Grid Computing
- High Performance Computing
- Image Processing
- Information and Communication Theory and Algorithms
- Information and Communication: Security, Privacy, and Trust
- Information Retrieval
- Mobile and Portable Communications Systems
- Mobile and Ubiquitous Networks
- Mobile Computing Systems
- Multimedia/Signal Processing
- Network Modeling and Simulation
- Numerical Methods
- Online Social Network Computing
- Optical Communications
- Self-Stabilization, Autonomic Computing
- Simulation/Analytical Evaluation of Communication Systems

We are also interested in: 1) Short Reports – 2-5 page papers where an author can either present an idea with theoretical background but has not yet completed the research needed for a complete paper or preliminary data; 2) Book Reviews – Comments and critiques.

Website and E-Mail

<http://www.scirp.org/journal/jcc>

E-mail: jcc@scirp.org

What is SCIRP?

Scientific Research Publishing (SCIRP) is one of the largest Open Access journal publishers. It is currently publishing more than 200 open access, online, peer-reviewed journals covering a wide range of academic disciplines. SCIRP serves the worldwide academic communities and contributes to the progress and application of science with its publication.

What is Open Access?

All original research papers published by SCIRP are made freely and permanently accessible online immediately upon publication. To be able to provide open access journals, SCIRP defrays operation costs from authors and subscription charges only for its printed version. Open access publishing allows an immediate, worldwide, barrier-free, open access to the full text of research papers, which is in the best interests of the scientific community.

- High visibility for maximum global exposure with open access publishing model
- Rigorous peer review of research papers
- Prompt faster publication with less cost
- Guaranteed targeted, multidisciplinary audience



**Scientific
Research**

Website: <http://www.scirp.org>

Subscription: sub@scirp.org

Advertisement: service@scirp.org