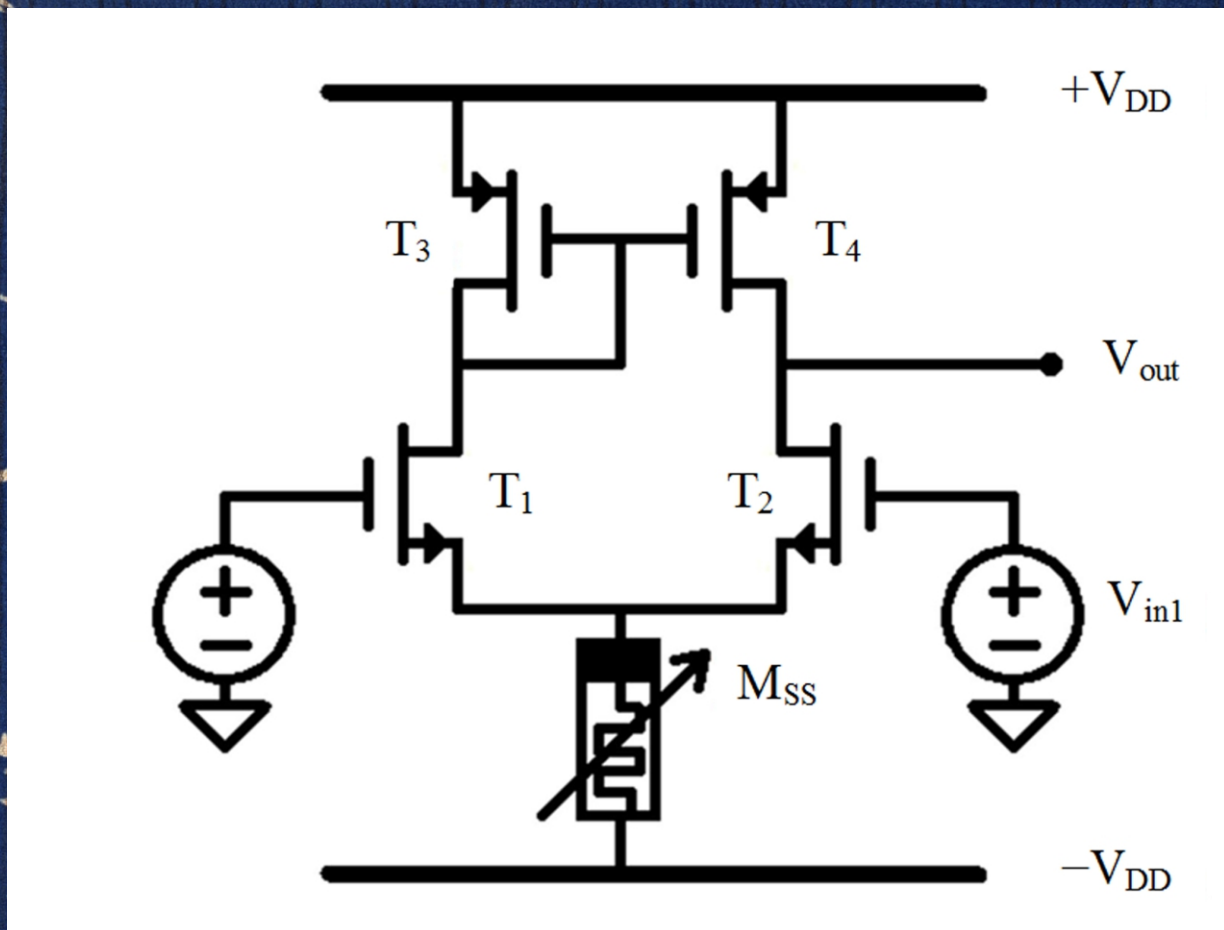


# Circuits and Systems



ISSN: 2153-1285



# Journal Editorial Board

ISSN Print: 2153-1285 ISSN Online: 2153-1293

<http://www.scirp.org/journal/cs>

---

## Editors-in-Chief

**Prof. Mehdi Anwar** University of Connecticut, USA  
**Prof. Gyungho Lee** Korea University, South Korea

## Associate Editor-in-Chief

**Prof. Jichai Jeong** Korea University, South Korea

## Editorial Board

**Prof. Terry L. Alford** Arizona State University, USA  
**Prof. Dong-Ho Cho** Korea Advanced Institute of Science and Technology, South Korea  
**Prof. John Choma** University of Southern California, USA  
**Dr. Bhaskar Choubey** University of Glasgow, UK  
**Dr. Wonzoo Chung** Korea University, South Korea  
**Dr. Nanditha Dissanayake** Brookhaven National Laboratory, USA  
**Prof. Syed Kamrul Islam** University of Tennessee, USA  
**Prof. Ju Wook Jang** Sogang University, South Korea  
**Prof. Yichuan Jiang** Southeast University, China  
**Dr. Yogesh N. Joglekar** Indiana University-Purdue University Indianapolis, USA  
**Prof. Chi Chung Ko** National University of Singapore, Singapore  
**Dr. Guowang Miao** Royal Institute of Technology, Sweden  
**Dr. Sudarshan R. Nelatury** Pennsylvania State University, USA  
**Dr. Shriram Raghunathan** Cyberonics, Inc., USA  
**Prof. Fathi M. Salem** Michigan State University, USA  
**Prof. Theodore B. Trafalis** The University of Oklahoma, USA  
**Prof. Fan-Gang Tseng** National Tsing Hua University, Chinese Taipei  
**Prof. Vincenzo Tucci** University of Salerno, Italy  
**Dr. Fei Zhang** Michigan State University, USA  
**Dr. Zuxing Zhang** Tohoku University, Japan

## Table of Contents

Volume 5    Number 11

November 2014

**Reducing Power and Energy Consumption of Nonvolatile Microcontrollers with  
Transparent On-Chip Instruction Cache**

D. Kim, I. Hida, E. S. Fukuda, T. Asai, M. Motomura.....253

**On Design of Memristive Amplifier Circuits**

T. Ibrayev, I. Fedorova, A. K. Maan, A. P. James.....265

**A Novel Signal Processing Coprocessor for  $n$ -Dimensional Geometric Algebra Applications**

B. Mishra, M. Kochery, P. Wilson, R. Wilcock.....274

## **Circuits and Systems (CS)**

### **Journal Information**

#### **SUBSCRIPTIONS**

The *Circuits and Systems* (Online at Scientific Research Publishing, [www.SciRP.org](http://www.SciRP.org)) is published monthly by Scientific Research Publishing, Inc., USA.

#### **Subscription rates:**

Print: \$69 per copy.

To subscribe, please contact Journals Subscriptions Department, E-mail: [sub@scirp.org](mailto:sub@scirp.org)

#### **SERVICES**

##### **Advertisements**

Advertisement Sales Department, E-mail: [service@scirp.org](mailto:service@scirp.org)

##### **Reprints (minimum quantity 100 copies)**

Reprints Co-ordinator, Scientific Research Publishing, Inc., USA.

E-mail: [sub@scirp.org](mailto:sub@scirp.org)

#### **COPYRIGHT**

##### **COPYRIGHT AND REUSE RIGHTS FOR THE FRONT MATTER OF THE JOURNAL:**

Copyright © 2014 by Scientific Research Publishing Inc.

This work is licensed under the Creative Commons Attribution International License (CC BY).

<http://creativecommons.org/licenses/by/4.0/>

##### **COPYRIGHT FOR INDIVIDUAL PAPERS OF THE JOURNAL:**

Copyright © 2014 by author(s) and Scientific Research Publishing Inc.

##### **REUSE RIGHTS FOR INDIVIDUAL PAPERS:**

Note: At SCIRP authors can choose between CC BY and CC BY-NC. Please consult each paper for its reuse rights.

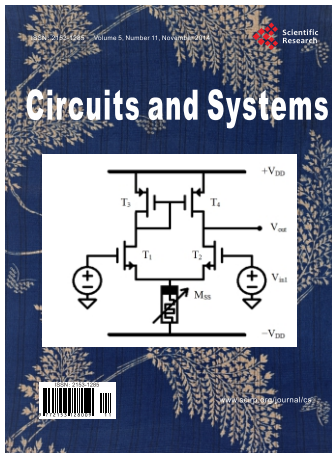
##### **DISCLAIMER OF LIABILITY**

Statements and opinions expressed in the articles and communications are those of the individual contributors and not the statements and opinion of Scientific Research Publishing, Inc. We assume no responsibility or liability for any damage or injury to persons or property arising out of the use of any materials, instructions, methods or ideas contained herein. We expressly disclaim any implied warranties of merchantability or fitness for a particular purpose. If expert assistance is required, the services of a competent professional person should be sought.

#### **PRODUCTION INFORMATION**

For manuscripts that have been accepted for publication, please contact:

E-mail: [cs@scirp.org](mailto:cs@scirp.org)



# Circuits and Systems

ISSN Print: 2153-1285    ISSN Online: 2153-1293

<http://www.scirp.org/journal/cs>

Circuits and Systems is an international journal dedicated to the latest advancement of theories, methods and applications in electronics, circuits and systems. The goal of this journal is to provide a platform for scientists and academicians all over the world to promote, share, and discuss various new issues and developments in different areas of electronics, circuits and systems.

## **Subject Coverage**

All manuscripts must be prepared in English, and are subject to a rigorous and fair peer-review process. Accepted papers will immediately appear online followed by printed hard copy. The journal publishes original papers including but not limited to the following fields:

- Analog Integrated Circuits
- Analog Signal Processing
- Blind Signal Processing
- Circuits and Systems for Communication and Information Technologies
- Circuits and Systems for Trusted Communications and Computing
- Computer and Processor Architecture
- Computer-Aided Network Design
- Digital Integrated Circuits
- Digital Signal Processing
- Digital System Design
- Distributed Sensor Networks and Systems
- Electronic Design Automation
- Embedded System and Software
- Graph Theory and Computing
- Low-Voltage Low-Power Circuits
- Memristors
- Multimedia Systems and Applications
- Nanoelectronics and Gigascale Systems
- Neural Systems and Applications
- Nonlinear Circuits and Systems
- Optoelectronics and Laser Technology
- Power Systems and Power Electronic Circuits
- Reconfigurable Architectures
- System-Level Synthesis
- Telemedicine
- Visual Signal Processing and Communications
- VLSI Systems and Applications

We are also interested in: 1) Short Reports—2-5 page papers where an author can either present an idea with theoretical background but has not yet completed the research needed for a complete paper or preliminary data; 2) Book Reviews—Comments and critiques.

## **Notes for Intending Authors**

Submitted papers should not have been previously published nor be currently under consideration for publication elsewhere. Paper submission will be handled electronically through the website. All papers are refereed through a peer review process. For more details about the submissions, please access the website.

## **Website and E-Mail**

<http://www.scirp.org/journal/cs>    E-mail: [cs@scirp.org](mailto:cs@scirp.org)