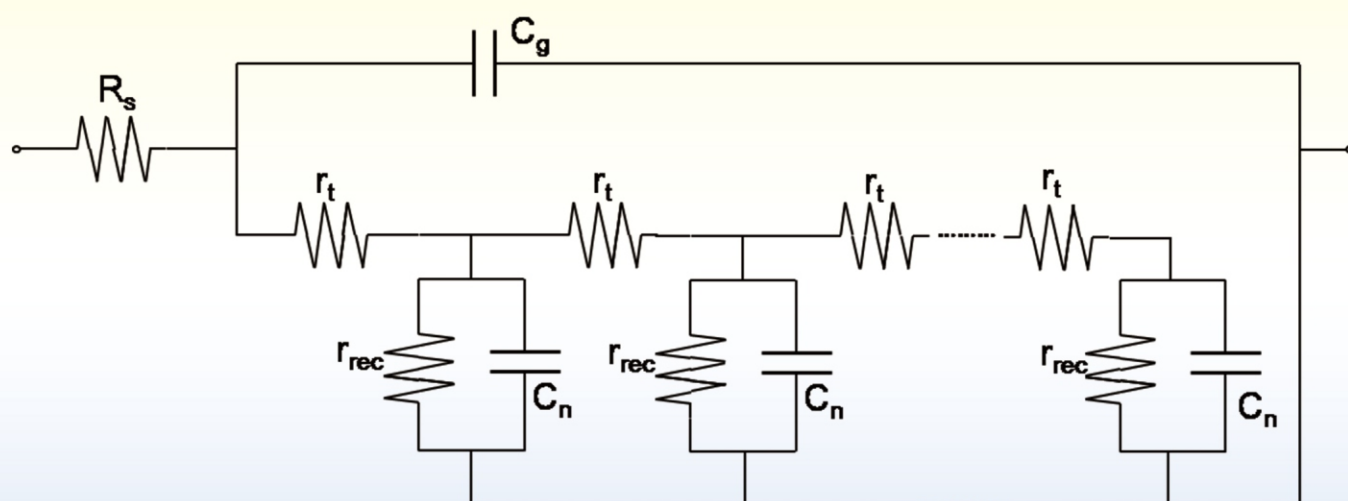


# Advances in Materials Physics and Chemistry



# Journal Editorial Board

ISSN: 2162-531X (Print) ISSN: 2162-5328 (Online)

<http://www.scirp.org/journal/ampc>

---

## Editor-in-Chief

**Prof. Zhiwen Chen**

Shanghai University, China

## Editorial Board

**Dr. Bensely Albert**

CMC Americas, Inc., USA

**Prof. Adriana Bigi**

University of Bologna, Italy

**Dr. Mary Caruso**

3M Company, USA

**Prof. Changle Chen**

University of Science & Technology of China, China

**Dr. Tien-Min Gabriel Chu**

Indiana University School of Dentistry, USA

**Dr. Byron D. Gates**

Simon Fraser University, Canada

**Dr. A. Nirmala Grace**

VIT University, India

**Prof. David Hui**

University of New Orleans, USA

**Prof. Kisuk Kang**

Seoul National University, South Korea

**Dr. Hong Jin Kim**

Advanced Module Engineering, Globalfoundries, USA

**Dr. Ing Kong**

RMIT University, Malaysia

**Dr. Mathew T. Mathew**

Rush University Medical Centre, USA

**Dr. Santosh K. Pandey**

Iowa State University, USA

**Prof. Rakesh Sharma**

FAMU-FSU College of Engineering, USA

**Prof. Peter E. Strizhak**

National Academy of Sciences of Ukraine, Ukraine

**Dr. Yadong Wang**

University of Pittsburgh School of Medicine, USA

**Dr. Meng Zhang**

Philips Lumileds Lighting Company, USA

**Prof. Qifa Zhou**

University of Southern California, USA

## Table of Contents

**Volume 7    Number 8**

**August 2017**

**Examination of Treatment Methods for a PEDOT:PSS Transparent Conductive Film  
Produced Using an Inkjet Method**

A. Nitta, Y. Imamura, K. Kawahara, K. Takeda.....311

**Impedance Spectroscopy for Annealing-Induced Change of Molybdenum Oxide in  
Organic Photovoltaic Cell**

T. Kobori, N. Kamata, T. Fukuda.....323

**Description of New Bioelectromechanical Properties in Alginate: An Insight with  
a Computer Simulation**

A. Heredia, J. J. Gervacio-Arciniega, V. Duarte-Alaniz, O. Amelines-Sarria,

A. Rodríguez-Galván, J. M. Siqueiros.....334

# Advances in Materials Physics and Chemistry (AMPC)

## Journal Information

### SUBSCRIPTIONS

The *Advances in Materials Physics and Chemistry* (Online at Scientific Research Publishing, [www.SciRP.org](http://www.SciRP.org)) is published monthly by Scientific Research Publishing, Inc., USA.

#### Subscription rates:

Print: \$79 per issue.

To subscribe, please contact Journals Subscriptions Department, E-mail: [sub@scirp.org](mailto:sub@scirp.org)

### SERVICES

#### Advertisements

Advertisement Sales Department, E-mail: [service@scirp.org](mailto:service@scirp.org)

#### Reprints (minimum quantity 100 copies)

Reprints Co-ordinator, Scientific Research Publishing, Inc., USA.

E-mail: [sub@scirp.org](mailto:sub@scirp.org)

### COPYRIGHT

#### Copyright and reuse rights for the front matter of the journal:

Copyright © 2017 by Scientific Research Publishing Inc.

This work is licensed under the Creative Commons Attribution International License (CC BY).

<http://creativecommons.org/licenses/by/4.0/>

#### Copyright for individual papers of the journal:

Copyright © 2017 by author(s) and Scientific Research Publishing Inc.

#### Reuse rights for individual papers:

Note: At SCIRP authors can choose between CC BY and CC BY-NC. Please consult each paper for its reuse rights.

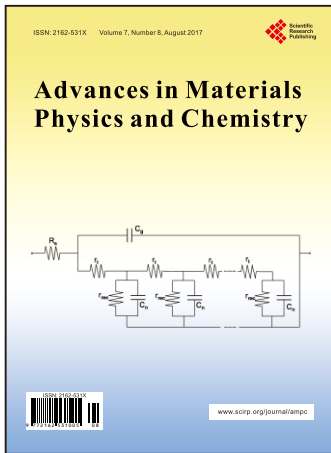
#### Disclaimer of liability

Statements and opinions expressed in the articles and communications are those of the individual contributors and not the statements and opinion of Scientific Research Publishing, Inc. We assume no responsibility or liability for any damage or injury to persons or property arising out of the use of any materials, instructions, methods or ideas contained herein. We expressly disclaim any implied warranties of merchantability or fitness for a particular purpose. If expert assistance is required, the services of a competent professional person should be sought.

### PRODUCTION INFORMATION

For manuscripts that have been accepted for publication, please contact:

E-mail: [ampc@scirp.org](mailto:ampc@scirp.org)



Call for Papers

# Advances in Materials Physics and Chemistry

ISSN: 2162-531X (Print) ISSN: 2162-5328 (Online)

<http://www.scirp.org/journal/ampc>

**Advances in Materials Physics and Chemistry** contains rapid communications, full-length original research, review articles and comments on interrelationships among synthesis, micro/nanostructures, properties, processing and performance of Materials Science, Physics, and Chemistry. This includes, but is not limited to:

- Biomaterials
- Composite Materials
- Energy Resources Materials
- Environmental Materials
- Fine Ceramics
- Graphene and Carbon
- Magnetics
- Nanodevices
- Nanomaterials
- Nanotechnology
- Optoelectronic Materials
- Polymers
- Quantum Science and Technology
- Semiconductors
- Superconductors
- Surface and Interface Science
- Thin Films

## Editor-in-Chief

**Prof. Zhiwen Chen**

Shanghai University, China

## Editorial Board

Dr. Bensely Albert

Prof. Adriana Bigi

Dr. Mary Caruso

Prof. Changle Chen

Dr. Tien-Min Gabriel Chu

Dr. Byron D. Gates

Dr. A. Nirmala Grace

Prof. David Hui

Prof. Kisuk Kang

Dr. Hong Jin Kim

Dr. Ing Kong

Dr. Mathew T. Mathew

Dr. Santosh K. Pandey

Prof. Rakesh Sharma

Prof. Peter E. Strizhak

Dr. Yadong Wang

Dr. Meng Zhang

Prof. Qifa Zhou

## Website and E-Mail

<http://www.scirp.org/journal/ampc>

E-mail: [ampc@scirp.org](mailto:ampc@scirp.org)